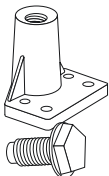
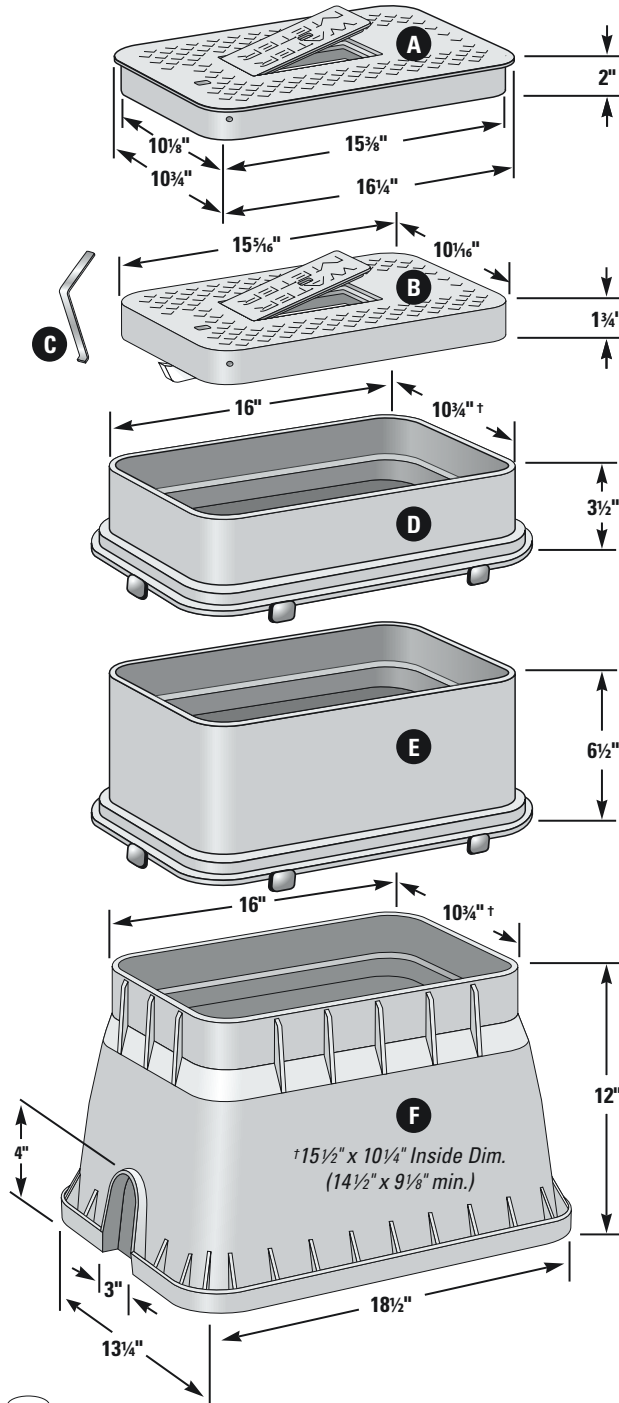




PENTEK® ACCESS BOXES

STANDARD UTILITY BOXES



Optional Pentagon Lock
(Needs Pentagon Lid)

(A) T-Top Lid (No Locks)
(B) Drop-in Lid (w/Snap Locks)
(C) Optional Snap Lock Tool
(D) 3" Extension
(E) 6" Extension
(F) 12" Standard Box
(G) 6" Flared Box

- SUPERFLEXON material is
 - Stronger than structural foam for greater top-load strength
 - More resistant to UV and wear
- 10 Year Lid Guarantee
- Lighter than cast iron or concrete boxes for
 - Easier warehouse handling
 - Reduced injury potential
- Closed mouse holes standard
- Available in black, tan and white (6", 12" and 18" high)
- Snap lock on drop-in lids
 - Discourages vandalism
 - Keeps lid in place in high water
- Lids are easily interchangeable
- T-top lid will fit boxes of other manufacturers
- Lids available in black, green, tan, and brown mulch

"You're Covered!"



STANDARD UTILITY BOXES

| DESCRIPTION | PART # | DESCRIPTION | PART # |
|---|--------|--|---------|
| STANDARD 12" BOX ASSEMBLIES | | BOXES ONLY | |
| Water Meter | | 12" Black w/2 Mouse Holes | 170204 |
| Black Box, Black Lid w/Snap Lock | 170104 | 12" Black w/3 Mouse Holes | 170011 |
| Black Box, Black w/Reader Lid & Snap Lock | 170105 | 18" Black One Piece w/2 Mouse Holes | 194101 |
| Black Box, Black w/Cast Iron Reader Lid & Snap Lock | 170111 | 18" White One Piece w/2 Mouse Holes | 194102 |
| Black Box, Black T-Top, No Lock | 174502 | 6" Flared - Black | 170129* |
| Black Box, Black T-Top w/Cast Iron Reader Lid | 174506 | | |
| Sewer | | LIDS ONLY | |
| Black Box, Green Lid w/Snap Lock | 170114 | Water Meter | |
| | | Black w/Snap Lock | 171111 |
| | | Black w/Pentagon Lock | 171118 |
| | | Black w/Cast Iron Reader Lid & Snap Lock | 172106 |
| | | Black T-Top, No Lock | 174005 |
| | | Black T-Top w/ Reader Lid & Snap Lock | 174008 |
| | | Black T-Top w/Cast Iron Reader Lid & Snap Lock | 174009 |
| | | Black w/Reader Lid & Snap Lock | 172113 |
| | | Sewer | |
| | | Green w/Snap Lock | 173137 |
| | | EXTENSIONS | |
| | | 3" Black | 170102 |
| | | 6" Black | 170103 |
| | | ACCESSORIES | |
| | | Lexan Bolt-Pentagon Lock | 143003 |
| | | Lexan Locking Nut-Pentagon Lock | 143013 |
| | | Hexagon Steel Bolt | 143014 |
| | | Snap Lock Set: 1 Snap, 1 Pin | 144017 |
| | | Snap Lock Unlocking Tool | 144022 |
| | | Locator Washer | 143020 |
| | | Screw for Locator Washer | 143004 |
| | | 8" Hinge Pin (to go with #172002 & 172114) | 144004 |
| | | Cast Iron Reader Lid Only | 172002 |
| | | Plastic Flip Lid, Latch & Screw | 172114 |
| | | (Plastic Flip Lid Assembly w/Lock) | |

*No Mouse Holes

SUPERFLEXON BOXES AND COVERS

SUPERFLEXON is a plastic material made of a rigid combination of polyolefin and fibrous inorganic components. It is chemically inert and normally unaffected by moisture, corrosion and the effects of temperature changes. SUPERFLEXON also has a high tensile strength with light weight because it is a solid (not foamed) structural material.

SUPERFLEXON covers are NOT traffic covers and should not be used in roadways, etc.

| Physical Properties | ASTM Test Method | Minimum Test Value |
|-----------------------------------|------------------|--------------------|
| Tensile Strength (2.0"/min.) | D-638-82a | 3,400 psi |
| Flexural Modulus | D-790-81 | 191,000 psi |
| Compressive Strength (0.05"/min.) | D-695-80 | 3,350 psi |
| Impact Strength, Izod | D-256-81 | 0.6 ft. lb/in. |
| Durometer Hardness, Type D | D-2240-81 | 60 |
| Deflection Temp. @ 66 psi Stress | D-648-82 | 230°F |
| Specific Gravity | D-792-66 (1979) | 1.15 |



293 Wright Street, Delavan, WI 53115, USA
 Phone: 888.773.2776 • Fax: 800.426.9446 • International Phone: 262.728.9181
 Support E-mail: support@pentekaccessboxes.com • Orders E-mail: pro.orders@pentair.com
 www.pentekaccessboxes.com