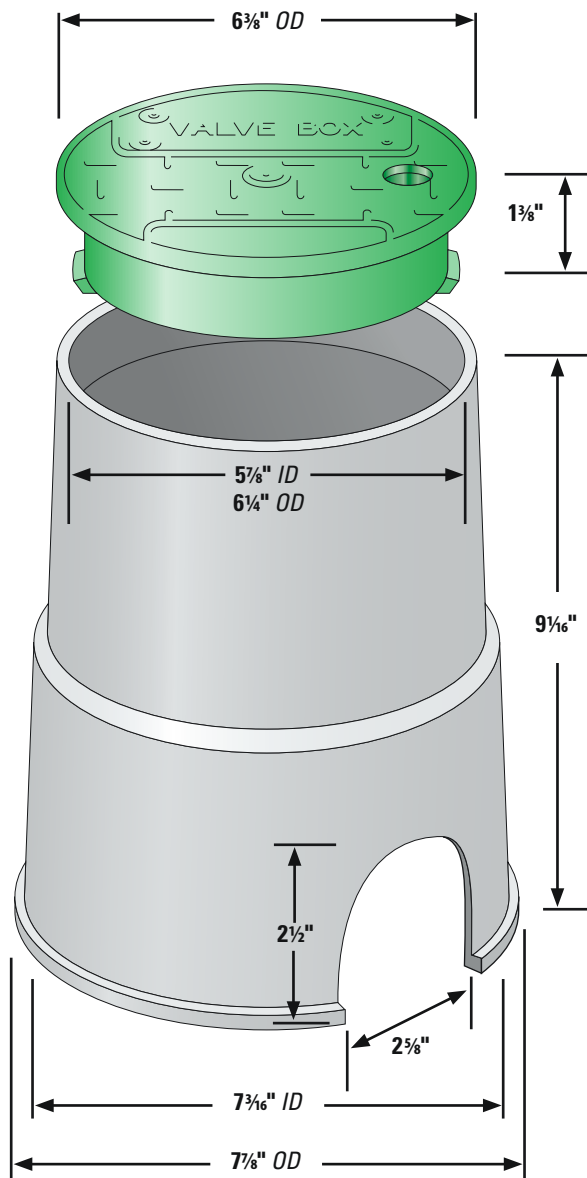




**PENTEK**  
ACCESS BOXES

## 6" ECONO TURF BOXES



- SUPERFLEXON material
  - Stronger than structural foam, greater top-load strength
  - More UV and wear resistant than structural foam
  - 10 Year Lid Guarantee
- Lighter than cast iron or concrete boxes
  - Easier warehouse handling
  - Reduced injury potential
- Snap locks on drop-in lid
  - Keep lid in place in high water
- Lids are easily interchangeable
- T-top lid
  - Reduces dirt in box
- Lids available in black, green, and brown mulch
- Boxes available in black and green

**"You're Covered!"**



# 6" ECONO TURF BOXES

DESCRIPTION	PART #	DESCRIPTION	PART #
<b>6" ECONO BOX ASSEMBLIES</b>		<b>LIDS ONLY</b>	
<b>Control Valve (w/2 Mouse Holes)</b>		<b>Control Valve</b>	
Black Box, Green Lid	182101	Green	182002
Black Box, Green Lid (Same as 182101 only boxed per case)	182103	Brown Mulch	182008
Black Box, Brown Mulch Lid	182109		
<b>Electric</b>		<b>Electric</b>	
Green Box, Green Lid	182112	Green	182012
<b>BOXES ONLY</b>			
Black w/2 Mouse Holes	182001		
Green w/2 Mouse Holes	182011		

## SUPERFLEXON BOXES AND COVERS

SUPERFLEXON is a plastic material made of a rigid combination of polyolefin and fibrous inorganic components. It is chemically inert and normally unaffected by moisture, corrosion and the effects of temperature changes. SUPERFLEXON also has a high tensile strength with light weight because it is a solid (not foamed) structural material.

SUPERFLEXON covers are NOT traffic covers and should not be used in roadways, etc.



293 Wright Street, Delavan, WI 53115, USA  
 Phone: 888.773.2776 • Fax: 800.426.9446 • International Phone: 262.728.9181  
 Support E-mail: support@pentekaccessboxes.com • Orders E-mail: pro.orders@pentair.com  
[www.pentekaccessboxes.com](http://www.pentekaccessboxes.com)