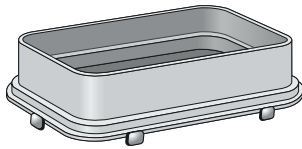


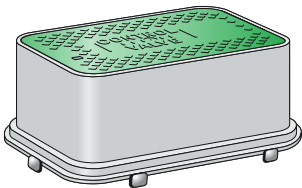


PENTEK
ACCESS BOXES

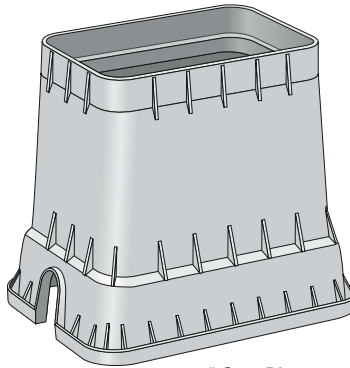
EXTENSIONS FOR TURF BOXES



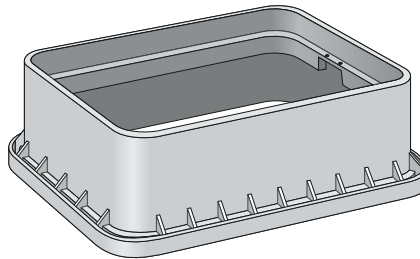
3" Standard Extension



*3" Standard Extension
(Shown with Drop-in Lid)*



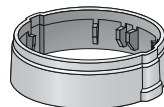
18" One Piece



6" Jumbo Extension



*20" Mainline Valve
Box Extension*



3" Round Extension

- SUPERFLEXON material
 - Stronger than structural foam, greater top-load strength
 - More UV and wear resistant than structural foam
 - 10 Year Lid Guarantee
- Multiple extensions and depths available
 - Easily adapts to your requirements
 - Designed for use with many competitor boxes
- Lighter than cast iron or concrete boxes
 - Easier warehouse handling
 - Reduced injury potential
- Extensions are available in black
- 18" one-piece available in black and white

"You're Covered!"



PENTEK
ACCESS BOXES

EXTENSIONS FOR TURF BOXES

DESCRIPTION	PART #	DESCRIPTION	PART #
EXTENSIONS		ACCESSORIES	
Standard Box		Lexan Bolt-Pentagon Lock	143003
3" Black	170102	Lexan Locking Nut	143013
6" Black	170103	Hexagon Steel Bolt	143014
Black 6" Extension w/Green "Control Valve" Lid	170116	Cast Iron Flip Lid Only	172002
18" Black One-Piece w/2 Mouse Holes	194101	Plastic Flip Lid Only	172003
18" White One-Piece w/2 Mouse Holes	194102	Plastic Flip Lid, Latch and Screw	172114
Jumbo Box			
6" Black	190110		
6" Black w/Green "Control Valve" Lid w/Snap Lock	190115		
6" Flared Black w/ Green Lid w/Snap Lock	170130		
6" Flared Black w/ Green T-Top Lid	174519		
10" Round Box			
3" Black	181026		
5-1/4" Adjustable Valve Box			
20" Adjustable Extension	111146		

SUPERFLEXON BOXES AND COVERS

SUPERFLEXON is a plastic material made of a rigid combination of polyolefin and fibrous inorganic components. It is chemically inert and normally unaffected by moisture, corrosion and the effects of temperature changes. SUPERFLEXON also has a high tensile strength with light weight because it is a solid (not foamed) structural material.

SUPERFLEXON covers are NOT traffic covers and should not be used in roadways, etc.



293 Wright Street, Delavan, WI 53115, USA
 Phone: 888.773.2776 • Fax: 800.426.9446 • International Phone: 262.728.9181
 Support E-mail: support@pentekaccessboxes.com • Orders E-mail: pro.orders@pentair.com
www.pentekaccessboxes.com