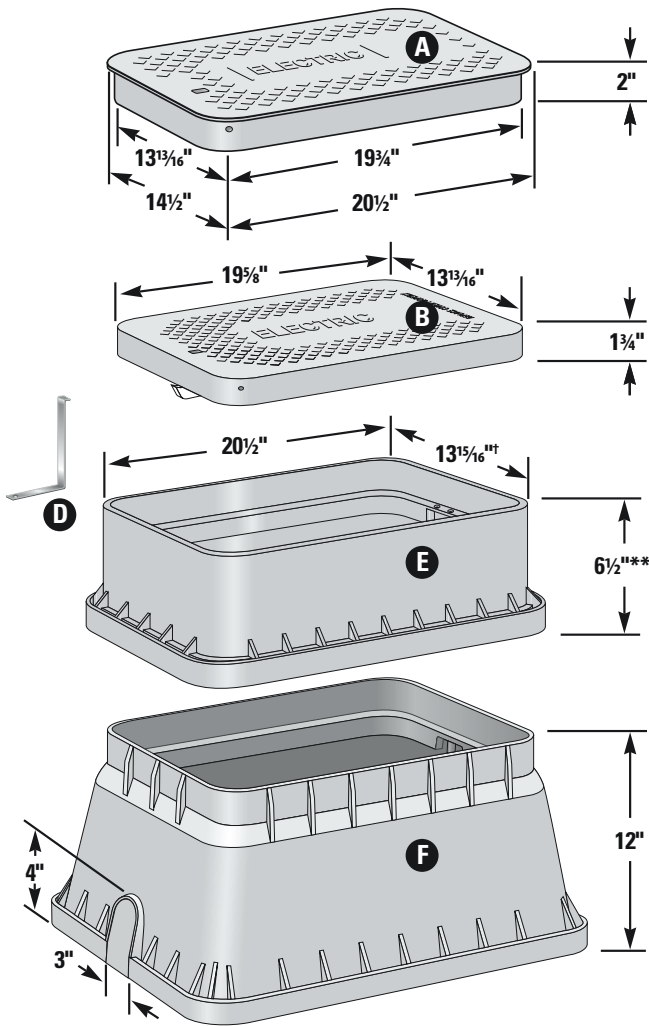




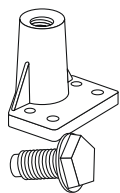
PENTEK[®]

ACCESS BOXES

JUMBO & XLUB ELECTRIC BOXES



***6" effective height
 †20" x 13¹⁵/₁₆" Inside Dim.
 (18³/₄" x 12¹¹/₁₆" min.)



Optional Pentagon Lock
 (Needs Pentagon Lid)

- (A) T-Top Lid (No Locks)
- (B) Drop-in Lid (w/Snap Locks)
- (C) Insulator
- (D) Optional Snap Lock Tool
- (E) 6" Extension
- (F) Jumbo Box
- (G) Flat Base

- SUPERFLEXON material (Jumbo Only)
 - Stronger than structural foam, greater top-load strength
 - More UV and wear resistant than structural foam
 - 10 Year Lid Guarantee
- Snap locks on jumbo drop-in lid, stainless steel bolts on XLUB lid
 - Discourage vandalism
 - Keep lid in place in high water
- Lids are easily interchangeable
- Lighter than cast iron or concrete boxes
 - Easier warehouse handling
 - Reduced injury potential
- Lids available in black
- Boxes available in black

XLUB shown on back

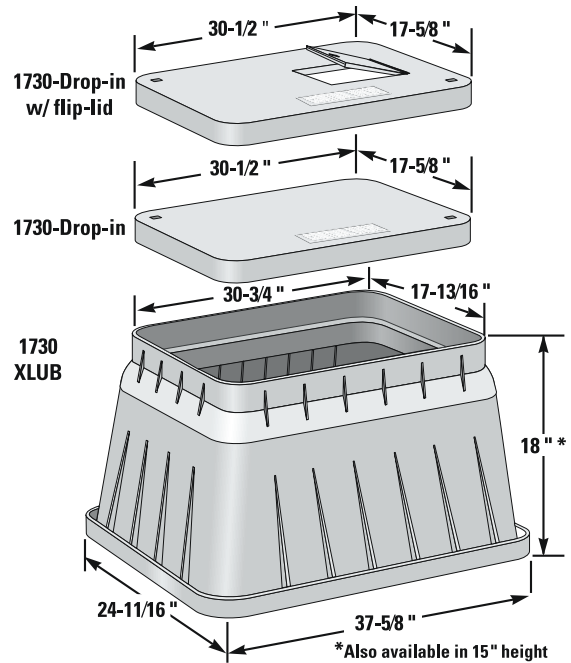
"You're Covered!"



JUMBO & XLUB ELECTRIC BOXES

DESCRIPTION	PART #
JUMBO BOX ASSEMBLIES	
Electric	
Black Box, Black Lid w/Pentagon Lock	190104
Black Box, Black Lid w/Snap Lock	190117
JUMBO BOXES ONLY	
Black	190101
JUMBO LIDS ONLY	
Electric	
Black w/Snap Lock	191102
Black w/Pentagon Lock	191105
JUMBO EXTENSIONS	
6" Black (C)	190110
JUMBO ACCESSORIES	
Lexan Bolt, Pentagon Lock	143003
Lexan Locking Nut, Pentagon Lock	143013
Hexagon Steel Bolt	143014
8-inch Hinge Pin (for # 172002 & 172114)	144004
Snap Lock Set	144017
Snap Lock Tool (B)	144022
Locator Washer	143020
Screw for Locator Washer	143004

DESCRIPTION	PART #
XLUB ASSEMBLIES	
Electric	
Black Box, Black Lid (17" x 30" x 18")	195104
XLUB BOXES ONLY	
Black (17" x 30" x 18")	195035
Black (17" x 30" x 15")	195036



SUPERFLEXON BOXES AND COVERS

SUPERFLEXON is a plastic material made of a rigid combination of polyolefin and fibrous inorganic components. It is chemically inert and normally unaffected by moisture, corrosion and the effects of temperature changes. SUPERFLEXON also has a high tensile strength with light weight because it is a solid (not foamed) structural material.

SUPERFLEXON covers are NOT traffic covers and should not be used in roadways, etc.

Physical Properties	ASTM Test Method	Minimum Test Value
Tensile Strength (2.0"/min.)	D-638-82a	3,400 psi
Flexural Modulus	D-790-81	191,000 psi
Compressive Strength (0.05"/min.)	D-695-80	3,350 psi
Impact Strength, Izod	D-256-81	0.6 ft. lb/in.
Durometer Hardness, Type D	D-2240-81	60
Deflection Temp. @ 66 psi Stress	D-648-82	230°F
Specific Gravity	D-792-66 (1979)	1.15



293 Wright Street, Delavan, WI 53115, USA
 Phone: 888.773.2776 • Fax: 800.426.9446 • International Phone: 262.728.9181
 Support E-mail: support@pentekaccessboxes.com • Orders E-mail: pro.orders@pentair.com
 www.pentekaccessboxes.com