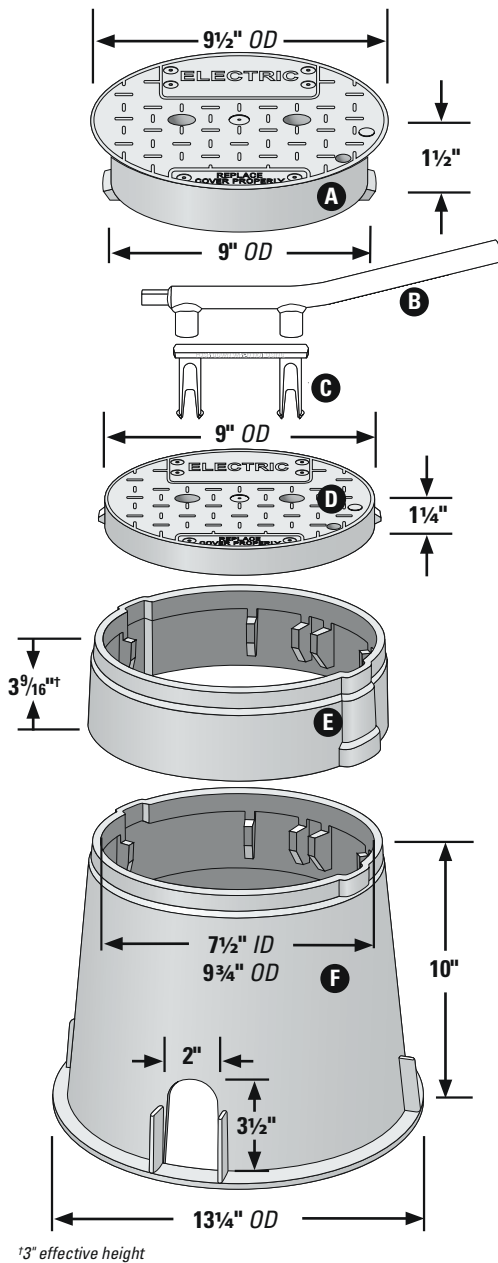




**PENTEK**  
ACCESS BOXES

# 10" ROUND ELECTRIC BOXES



(A) T-Top Lid  
(B) Cover Lifting Tool  
(C) Cover Handle  
(D) Drop-in Lid  
(E) 3" Round Extension  
(F) 10" Round Box

- SUPERFLEXON material
  - Stronger than structural foam, greater top-load strength
  - More UV and wear resistant than structural foam
  - 10 Year Lid Guarantee
- Lighter than cast iron or concrete boxes
  - Easier warehouse handling
  - Reduced injury potential
- Drop-in lid with 1/4 turn lock
  - Optional locking screw discourages vandalism
  - Keeps lid in place in high water
- Lids are easily interchangeable
- Lids available in black, gray and green
- Boxes available in black and green

"You're Covered!"



# 10" ROUND ELECTRIC BOXES

DESCRIPTION	PART #	DESCRIPTION	PART #
<b>10" ROUND ASSEMBLIES</b>		<b>LIDS ONLY</b>	
<b>Electric (w/2 Mouse Holes)</b>		<b>Electric</b>	
Black Box, Black Lid	181112	Black	181021
Green Box, Green Lid w/Locking Screw	181124	Green	181037
Black Box, Black T-Top	184502	Black T-Top	184007
Black Box, Black T-Top w/Reflector	184513	Black T-Top w/Reflector	184016
Black Box, Gray T-Top w/Reflector	184514	Gray T-Top	184010
		Gray T-Top w/Reflector	184017
<b>BOXES ONLY</b>		<b>EXTENSIONS</b>	
Black w/2 Mouse Holes	181014	3" Height Black	181026
Green w/2 Mouse Holes	181033		
		<b>ACCESSORIES</b>	
		Cover Lifting Tool (metal)	144046
		Cover Handle (plastic)	144495

## SUPERFLEXON BOXES AND COVERS

SUPERFLEXON is a plastic material made of a rigid combination of polyolefin and fibrous inorganic components. It is chemically inert and normally unaffected by moisture, corrosion and the effects of temperature changes. SUPERFLEXON also has a high tensile strength with light weight because it is a solid (not foamed) structural material.

SUPERFLEXON covers are NOT traffic covers and should not be used in roadways, etc.

Physical Properties	ASTM Test Method	Minimum Test Value
Tensile Strength (2.0"/min.)	D-638-82a	3,400 psi
Flexural Modulus	D-790-81	191,000 psi
Compressive Strength (0.05"/min.)	D-695-80	3,350 psi
Impact Strength, Izod	D-256-81	0.6 ft. lb/in.
Durometer Hardness, Type D	D-2240-81	60
Deflection Temp. @ 66 psi Stress	D-648-82	230°F
Specific Gravity	D-792-66 (1979)	1.15



293 Wright Street, Delavan, WI 53115, USA  
 Phone: 888.773.2776 • Fax: 800.426.9446 • International Phone: 262.728.9181  
 Support E-mail: support@pentekaccessboxes.com • Orders E-mail: pro.orders@pentair.com  
 www.pentekaccessboxes.com