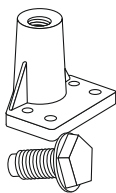
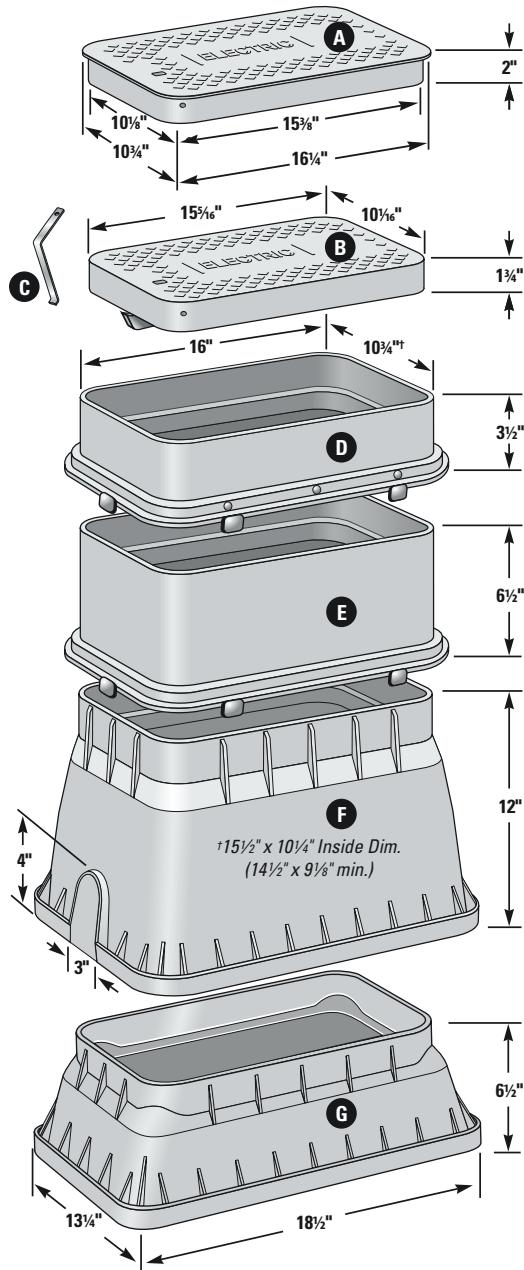




PENTEK®

ACCESS BOXES

STANDARD ELECTRIC BOXES



Optional Pentagon Lock
(Needs Pentagon Lid)

- (A) T-Top Lid (No Locks)
- (B) Drop-in Lid (w/Snap Locks)
- (C) Optional Snap Lock Tool
- (D) 3" Extension
- (E) 6" Extension
- (F) 12" standard Box
- (G) 6" Flared Box

- SUPERFLEXON material
 - Stronger than structural foam, greater top-load strength
 - More UV and wear resistant than structural foam
 - 10 Year Lid Guarantee
- Lighter than cast iron or concrete boxes
 - Easier warehouse handling
 - Reduced injury potential
- Snap locks on drop-in lid
 - Discourage vandalism
 - Keep lid in place in high water
- Lids are easily interchangeable
- T-Top lid will fit boxes of other manufacturers
- Lids available in black, gray and green
- Boxes available in black, gray and white (6", 12" and 18" High)

"You're Covered!"



STANDARD ELECTRIC BOXES

DESCRIPTION	PART #	DESCRIPTION	PART #
STANDARD 12" BOX ASSEMBLIES		LIDS ONLY	
Electric		Electric	
Black Box, Black Lid w/Snap Lock	170117	Black w/ Snap Lock	171115
Black Box, Green Lid w/Snap Lock	170138	Green w/ Snap Lock	171122
Black Box, Black Lid w/Pentagon Lock	170132	Gray w/ Snap Lock	173152
Gray Box, Gray Lid w/Snap Lock	170140	Gray w/ Hex Bolt	
Gray Box, Gray Lid w/Hex Bolt Lock	170151		
JUMBO BOXES ONLY		EXTENSIONS	
Black	170101	3" Black	170102
Gray	170141	6" Black	170103
6" Flared	170129	ACCESSORIES	
18" Black One-Piece w/ 2 Mouse Holes	194101	Lexan Bolt, Pentagon Lock	143003
18" Black One-Piece w/ 2 Mouse Holes	194102	Lexan Locking Nut, Pentagon Lock	143013
		Hexagon Steel Bolt	143014
		Snap Lock Set	144017
		Snap Lock Tool	144022
		Locator Washer	143020
		Screw for Locator Washer	143004

SUPERFLEXON BOXES AND COVERS

SUPERFLEXON is a plastic material made of a rigid combination of polyolefin and fibrous inorganic components. It is chemically inert and normally unaffected by moisture, corrosion and the effects of temperature changes. SUPERFLEXON also has a high tensile strength with light weight because it is a solid (not foamed) structural material.

SUPERFLEXON covers are NOT traffic covers and should not be used in roadways, etc.

Physical Properties	ASTM Test Method	Minimum Test Value
Tensile Strength (2.0"/min.)	D-638-82a	3,400 psi
Flexural Modulus	D-790-81	191,000 psi
Compressive Strength (0.05"/min.)	D-695-80	3,350 psi
Impact Strength, Izod	D-256-81	0.6 ft. lb/in.
Durometer Hardness, Type D	D-2240-81	60
Deflection Temp. @ 66 psi Stress	D-648-82	230°F
Specific Gravity	D-792-66 (1979)	1.15



293 Wright Street, Delavan, WI 53115, USA
 Phone: 888.773.2776 • Fax: 800.426.9446 • International Phone: 262.728.9181
 Support E-mail: support@pentekaccessboxes.com • Orders E-mail: pro.orders@pentair.com
 www.pentekaccessboxes.com